



PROJECT		REF		REV	ITEM CODE	
LOCATION		DATE			PAGE	

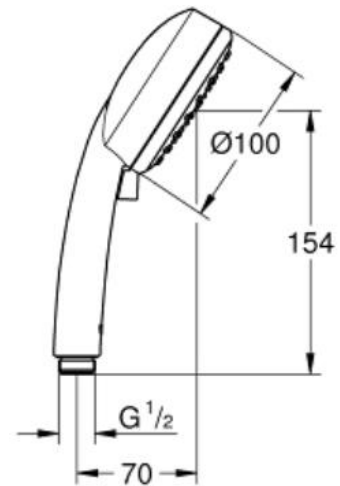
SANITARY WARE SPECIFICATION SHEET

Item Descriptions	GROHE (Germany) "New Tempesta Cosmopolitan 100" 2 sprays hand shower; Nominal flow rate 5.3 l/min in WELS Grade 1 ; Registration No.SB 18-0094
Dimensions	Refer to drawing
Model	2757120E
Finish	Chrome Plated
Manufacturer	GROHE Limited
Country of Origin	Germany
Supplier	Acme Sanitary Ware Co. Ltd Mr. Eric Wong/ Mr. Don Yuen
Contact Tel/Fax	(852) 2388-7171 / (852) 2710-8012
E-mail	acme@acmesanitary.com.hk
Website	www.acmesanitary.com.hk

Illustration/ Drawing

Dynamic flow pressure (kPa)	50	150	250	350	500
Flow rate (l / min)	4.00	5.10	5.25	5.43	5.50

- GROHE EcoJoy 1.5 gpm (5.7 l/min) flow restrictor
- GROHE DreamSpray perfect spray pattern
- GROHE StarLight chrome finish
- SpeedClean® anti-lime system
- 2 Adjustable spray patterns: Rain, Jet
- Inner WaterGuide for a longer life
- Universal mounting system (fits all standard shower hoses)
- Min. recommended pressure: 15 psi
- 4" face
- CALGreen compliant



Note:

* All information of the above is for the reference only. No prior notice is made if any changes.

註冊號碼 (Registration No.): SB 18-0094



自願參與用水效益標籤計劃 - 沐浴花灑
Voluntary Water Efficiency Labelling Scheme - Showers for Bathing



茲證明

This is to certify that

將下列花灑在本計劃內註冊：
has registered the following shower under this scheme :

牌子 / Brand	:	GROHE
型號 / Model	:	275712XE
原產地 / Country or Region Origin	:	Germany

在用水效益標籤上展示的標誌 <i>Symbolic Presentation on the Water Efficiency Label</i>	:		滴水點 <i>Water droplet(s)</i>
用水效益級別 <i>Water Efficiency Grade</i>	:	1	
耗水量 <i>Water Consumption</i>	:	5.3	公升/分鐘 <i>litres/minute</i>

簽發日期: 30 April 2018
Date of Issue:

 水務署
Water Supplies Department



水務署署長(周世威代行)
for Director of Water Supplies